

EC TYPE-APPROVAL CERTIFICATE

Communication concerning:

- EC type-approval
- ~~extension of EC type approval~~
- ~~refusal of EC type approval~~
- ~~withdrawal of EC type approval~~

with regard to Regulation (EC) No 79/2009, as implemented by Regulation (EU) No 406/2010

EC Type-approval No: ***e24*79/2009*406/2010*0012*00***

Reason for extension: ***N/A.***

SECTION I

- 0.1 Make (trade name of manufacturer's): ***Swagelok Company***
- 0.2 Type: ***SS-4SK
Manual valve***
- 0.3 Means of identification of type, if marked on the component: ***See 0.2 above.***
- 0.3.1 Location of that marking: ***On the valve body.***
- 0.5 Name and address of manufacturer: ***Swagelok Company,
29500 Solon Road,
Solon, OH 44139,
USA.***
- 0.7 In the case of components and separate technical units, location and method of affixing of the EC approval mark: ***On the valve body. Done via laser marking.***
- 0.8 Address(es) of assembly plant(s): ***Swagelok Order Fulfillment Center,
29495 F. A. Lennon Drive
Solon, OH 44139,
USA.***
- 0.9 Name and address of the manufacturer's representative (if any): ***Swagelok AG
St. Gallerstrasse 84
CH-8853 Lachen, Switzerland***




NSAI
Certification

EC Type Approval No:

e24*79/2009*406/2010*0012*00

SECTION II

1. Additional information (where applicable): ***See Addendum.***
2. Technical service responsible for carrying out the tests: ***TÜV SÜD AUTOMOTIVE GMBH,
Westendstraße 199,
D-80686 München,
Germany.***
3. Date of test report: ***2011.10.21***
4. Number of test report: ***11-00019-UA-GBM-00***
5. Remarks (if any): ***See Appendix.***
6. Place: ***Dublin.***
7. Date: ***18th November 2011***
8. Signature: 

Attachments:

- Information package.
- Test report.

Documentation:



16 Pages.

Addendum

to EC Type Approval Certificate No.: e24*79/2009*406/2010*0012*00

relating to EC component type-approval of a hydrogen component or system

1. Additional information
 - 1.1. ~~Hydrogen system designed to use liquid hydrogen / Hydrogen system designed to use compressed (gaseous) hydrogen / Hydrogen component designed to use liquid hydrogen / Hydrogen component designed to use compressed (gaseous) hydrogen~~
2. Specifications and test results:

*See technical report
11-00019-UA-GBM-00 and
manufacturer's documentation.*
- 2.1. Containers designed to use compressed (gaseous) hydrogen:

*See technical report
11-00019-UA-GBM-00 and
manufacturer's documentation.*
- 2.1.1. Container material specifications:

*See technical report
11-00019-UA-GBM-00 and
manufacturer's documentation.*
- 2.1.2. Container material test result:

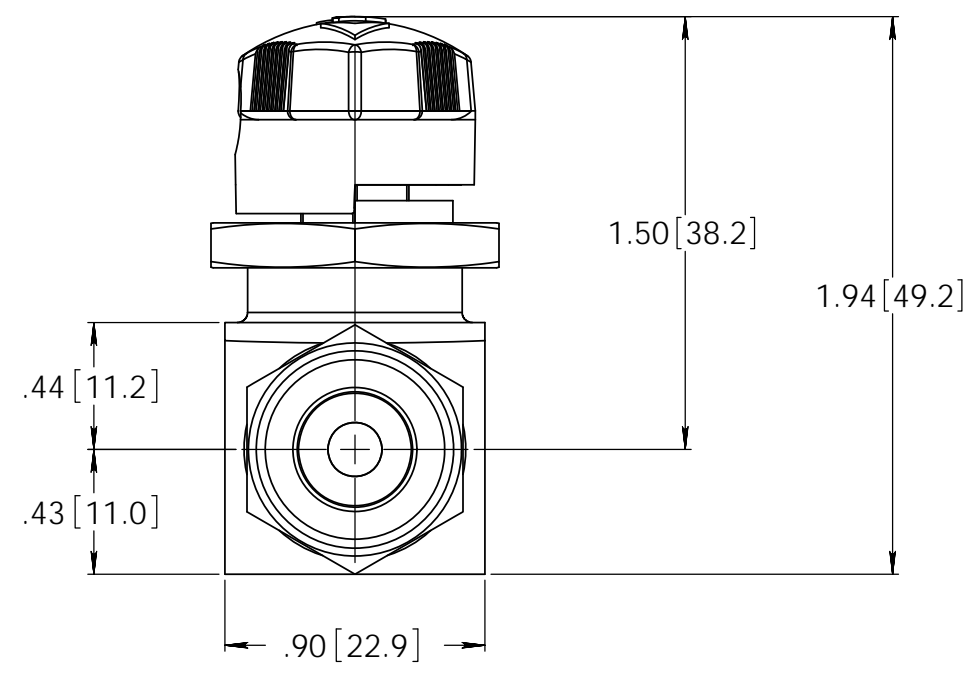
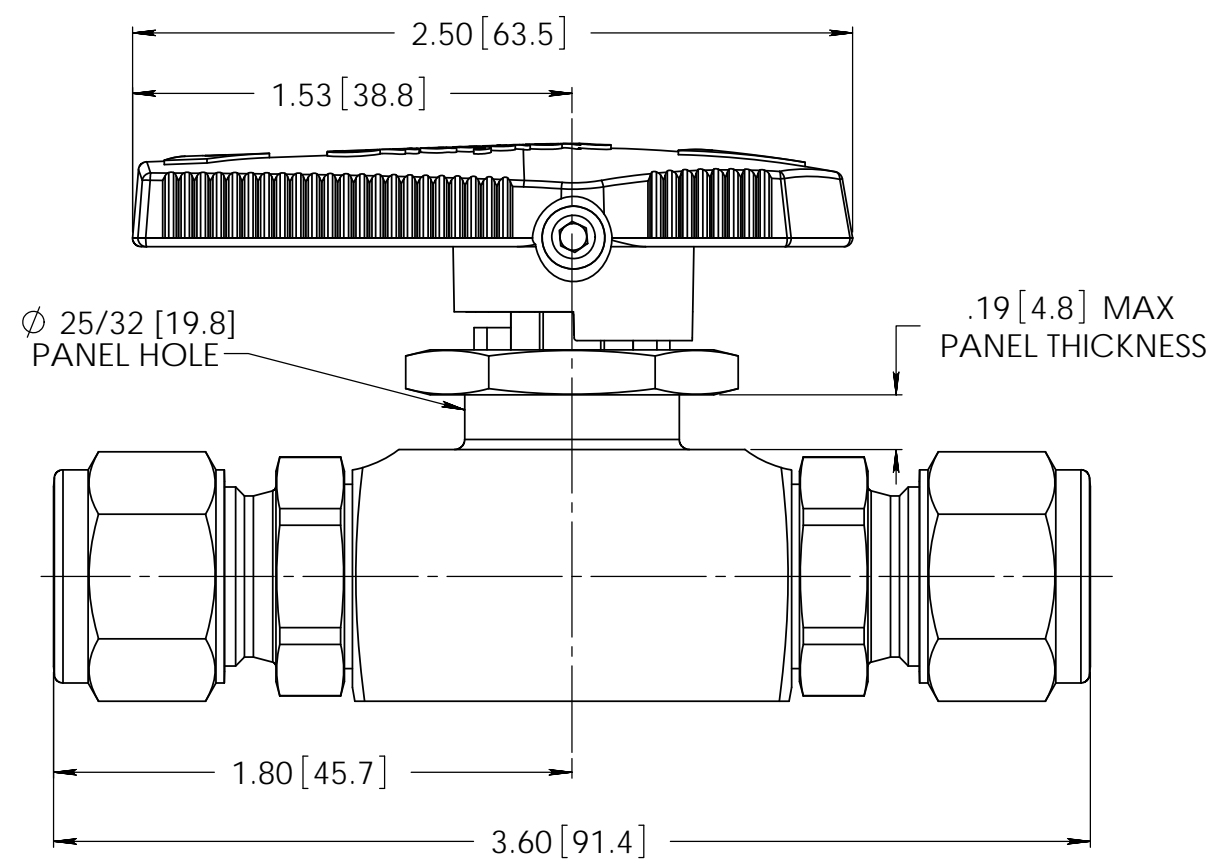
*See technical report
11-00019-UA-GBM-00 and
manufacturer's documentation.*
- 2.1.3. Container test results:

*See technical report
11-00019-UA-GBM-00 and
manufacturer's documentation.*
3. Restriction of use of the device (if any):

*See technical report
11-00019-UA-GBM-00 and
manufacturer's documentation.*
4. Remarks:

N/A.

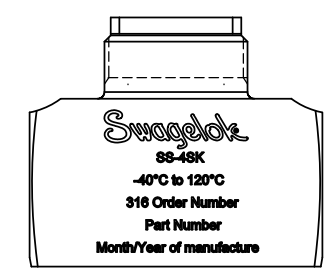
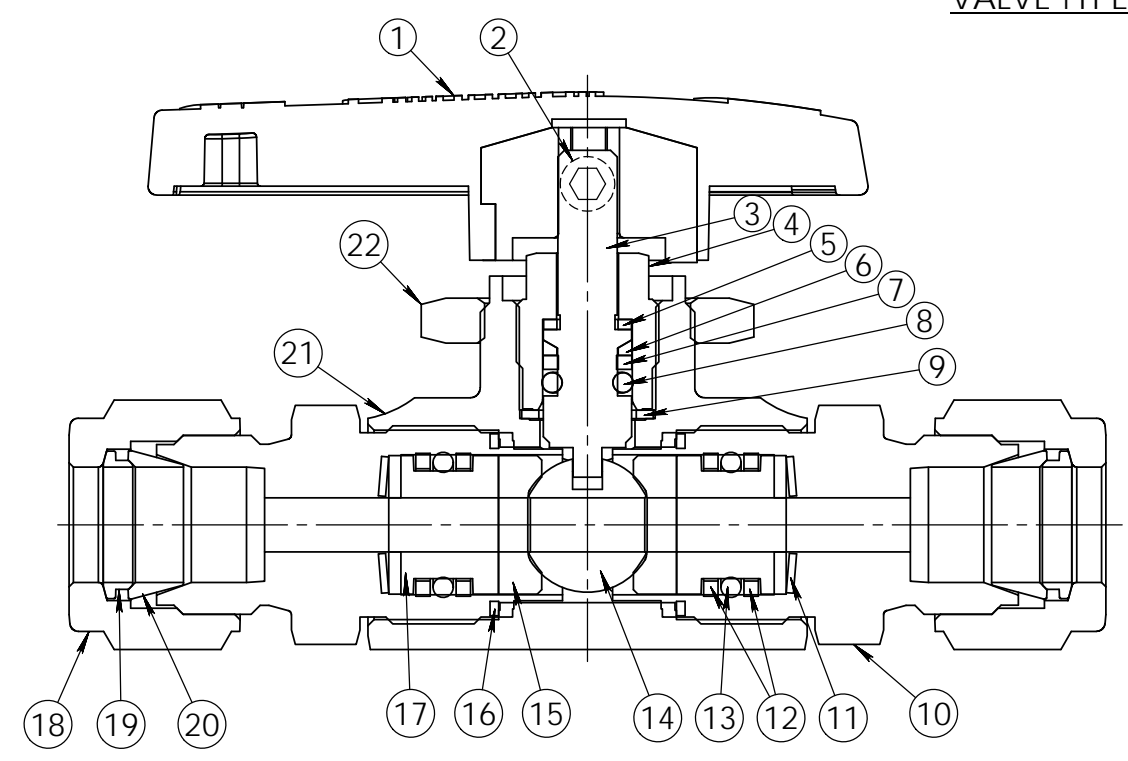
REVISIONS	
REV.	DCN
-	11-012219



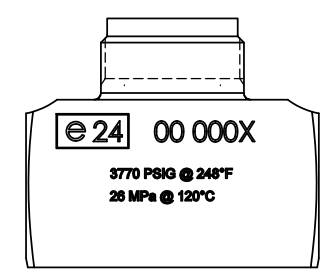
VALVE TYPE: SK SERIES WITH 10MM SWAGELOK END CONNECTIONS

BILL OF MATERIAL

ITEM	NAME	PART NUMBER
1	HANDLE	NY-5-43G-BK-APPROVAL
2	SET SCREW	174PH-6SS-0805-APPROVAL
3	STEM	SS-3A-4SK-APPROVAL
4	PACKING BOLT	SS-4-4SK-APPROVAL
5	STEM THRUST WASHER	PK-8B-4SK-APPROVAL
6	CHAMFERED BACKUP RING	PK-8F-83X-APPROVAL
7	STEM BACKUP RING	T-8-008-APPROVAL
8	STEM O-RING	FULT-75-OR-008-APPROVAL
9	PACKING BOLT GASKET	SS-8C-4SK-APPROVAL
10	END SCREW	SS-1C-4SKS10MM-APPROVAL
11	SEAT SPRING	SS-13-4SK-APPROVAL
12	SEAT BACKUP RING	T-9D-012-APPROVAL
13	SEAT O-RING	FULT-75-OR-012-APPROVAL
14	BALL	SS-3B-4SK-APPROVAL
15	SEAT	PK-9E-4SK-APPROVAL
16	END SCREW GASKET	SS-8F-4SK-APPROVAL
17	SEAT GLAND	SS-9C-4SK-APPROVAL
18	SWAGELOK NUT	SS-10M2-1-APPROVAL
19	BACK FERRULE	SS-10M4-1A-APPROVAL
20	FRONT FERRULE	SS-10M3-1-APPROVAL
21	BODY	SS-1-4SK-APPROVAL
22	PANEL NUT	SS-7-16-APPROVAL



FRONT BODY MARKING



BACK BODY MARKING

THIS PRINT IS THE EXCLUSIVE PROPERTY OF SWAGELOK COMPANY. IT MUST BE RETURNED ON REQUEST ALONG WITH ANY DOCUMENTS CONTAINING INFORMATION OBTAINED FROM THIS PRINT. NEITHER THIS PRINT NOR ANY PART OF IT NOR ANY INFORMATION CONCERNING IT MAY BE COPIED, DISCLOSED TO OTHERS OR USED FOR ANY PURPOSE EXCEPT IN FURTHERANCE OF YOUR BUSINESS WITH SWAGELOK. THE PARTS REFERRED TO ON THIS PRINT MAY BE THE SUBJECT OF PATENTS AND/OR PENDING APPLICATIONS AND MAY NOT BE MANUFACTURED WITHOUT PERMISSION FROM SWAGELOK COMPANY.

TOLERANCE ON ENGLISH DIMENSIONS UNLESS OTHERWISE SPECIFIED
 .XX ±.031
 .XXX ±.015
 ANGLES ±1 DEGREE
 -- DIMENSIONS ARE INCHES NEXT TO [MILLIMETERS].

TITLE APPROVAL/SCHEDULE DRAWING	
DRAWN BY MGM	DATE Oct-5-11
CHECK/APR BY 11-012219	DATE Oct-12-11
© Swagelok Company All Rights Reserved	

Swagelok
 DWG. NO. SS-SK-EC79-APPROVAL

SHEET 1 of 1
 SCALE NONE
 REV. -